

2MP 22x Starlight Network Full Spectrum PTZ Dome Camera

IPC6252SFW-X22U



Key Features

Optics

- Starlight illumination
- Accurate and fast focusing
- Full spectrum light with both white and infrared LED design
- Smart IR, up to 200 m (656 ft) IR distance
- Up to 120dB WDR(Wide Dynamic Range)
- While Light , up to 30m(98ft)

Compression

- Ultra 265,H.265, H.264, MJPEG
- Embedded smart algorithm
- Triple streams
- 1080P@60fps Supported

Network

- ONVIF Conformance

Structure

- Innovative snow-removing functionality
- More effective heat dissipation system
- Intelligent temperature control technology
- 6 KV surge protection designed for network interface
- IK10 vandal resistant
- IP66

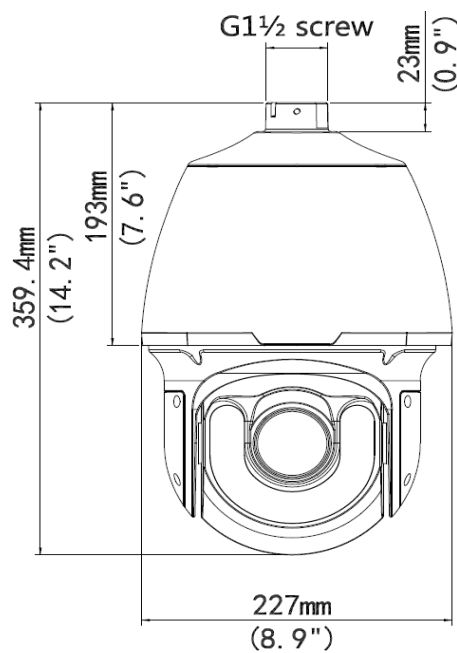
Specifications

IPC6252SFW-X22U																
Camera																
Sensor	1/1.8", progressive scan, 2.0 megapixel, CMOS															
Lens	6.5 ~ 143 mm, AF automatic focusing and motorized zoom lens															
Digital Zoom	16															
Optical Zoom	22															
DORI Distance	<table border="1"> <thead> <tr> <th>Lens</th> <th>Detect(m)</th> <th>Observe(m)</th> <th>Recognize(m)</th> <th>Identify(m)</th> </tr> </thead> <tbody> <tr> <td>6.5mm</td> <td>78</td> <td>31.2</td> <td>15.6</td> <td>7.8</td> </tr> <tr> <td>143mm</td> <td>1716</td> <td>686.4</td> <td>343.2</td> <td>171.6</td> </tr> </tbody> </table>	Lens	Detect(m)	Observe(m)	Recognize(m)	Identify(m)	6.5mm	78	31.2	15.6	7.8	143mm	1716	686.4	343.2	171.6
	Lens	Detect(m)	Observe(m)	Recognize(m)	Identify(m)											
	6.5mm	78	31.2	15.6	7.8											
143mm	1716	686.4	343.2	171.6												
Angle of View (H)	57.2°~3.3°															
Angle of View (V)	38.4°~1.3°															
Angle of View (O)	70.4°~3.9°															
Shutter	Auto/Manual; shutter time: 1 ~ 1/100000 s															
Minimum Illumination	Colour: 0.001 lux (F1.5, AGC ON) 0 Lux with IR on															
Iris	Auto/Manual; F1.5 ~ F3.4															
Day/Night	IR-cut filter with auto switch (ICR)															
Digital noise reduction	2D/3D DNR															
S/N	>52dB															
IR Range	Up to 200 m (656 ft), While Light , up to 30m															
Defog	Digital Defog															
WDR	120Db															
Video																
Video Compression	Ultra 265,H.265, H.264, MJPEG															
H.264 code profile	Baseline profile, Main Profile, High Profile															
Frame Rate	Main Stream:2MP (1920×1080):Max. 60 fps;															

	Sub Stream:2MP (1920×1080):Max. 60 fps; Third Stream: D1 (720×576): Max. 60 fps
HLC	Supported
BLC	Supported
EIS	Supported
OSD	Up to 8 OSDs
Privacy Mask	Up to 24 areas
ROI	Up to 8 areas
Motion Detection	Up to 4 areas
Smart	
Behavior Detection	Intrusion, cross line, motion detection, Auto tracking
Intrusion	Enter and loiter in a pre-defined virtual region
cross line	Cross a pre-defined virtual line
motion detection	Moving within a pre-defined virtual region
auto tracking	Tracking the specified target
Recognition	Face detection、 Audio detection
Intelligent Identification	Defocus, Scene Change, Object Left, Object Moving
Statistical Analysis	People counting
General Function	Watermark, IP Address Filtering, Tampering Alarm, Alarm input, Alarm output, Access Policy, ARP Protection, RTSP Authentication, User Authentication
Audio	
Audio Compression	G.711
Two-way audio	Supported
Suppression	Supported
Sampling Rate	8 KHZ
Storage	
Edge Storage	Micro SD, up to 128 GB
Network Storage	ANR
Network	
Protocols	Ipv4, IGMP, ICMP, ARP, TCP, UDP, DHCP, PPPoE, RTP, RTSP, RTCP, DNS, DDNS, NTP, FTP, UpnP, HTTP, HTTPS, SMTP, 802.1x, SNMP
Compatible Integration	ONVIF(Profile S, Profile G), API
Pan & Tilt	
Pan Range	360° (endless)
Pan Speed	0.1°/s ~ 240°/s
	Preset speed: 300°/s
Tilt Range	-15° ~ +90° (auto reverse)
Tilt Speed	0.1° ~ 160°/s
	Preset speed: 240°/s
Number of Preset	1024
Patrol	Preset patrol, route patrol, recorded patrol
Home Position	Supported
Drag-to-Zoom	Supported
Interface	
Audio I/O	Audio cable

	1 Input: impedance 35 K ω ; amplitude 2 V [p-p]
	1 Output: impedance 600 Ω ; amplitude 2 V [p-p]
Alarm I/O	2 / 1
Serial Port	1 RS485
Network	1 RJ45 10M/100M Base-TX Ethernet
Video Output	1 BNC, impedance 75 Ω ; amplitude 1 V [p-p]
General	
Power	24 V AC (Default) \pm 25%, 24 V DC \pm 25%
	Power consumption:12 ~46W
Dimensions(ϕ xH)	ϕ 227x359.4 mm (ϕ 8.9" x 14.2")
Weight	5.4 kg (11.9lb)
Working Environment	-40°C ~ +70°C (-40°F ~ 158°F), Humidity:10%~ 95% RH(non-condensing)
Ingress Protection	IP66
Vandal Resistat	IK10
Reset Button	Supported

Dimensions



Zhejiang Uniview Technologies Co., Ltd.

Building No.10, Wanlun Science Park, Jiangling Road 88, Binjiang District, Hangzhou, Zhejiang, China (310051)

Email: overseasbusiness@uniview.com; globalsupport@uniview.com

<http://www.uniview.com>

©2016 -2018 Zhejiang Uniview Technologies Co., Ltd. All rights reserved.

*Product specifications and availability are subject to change without notice.